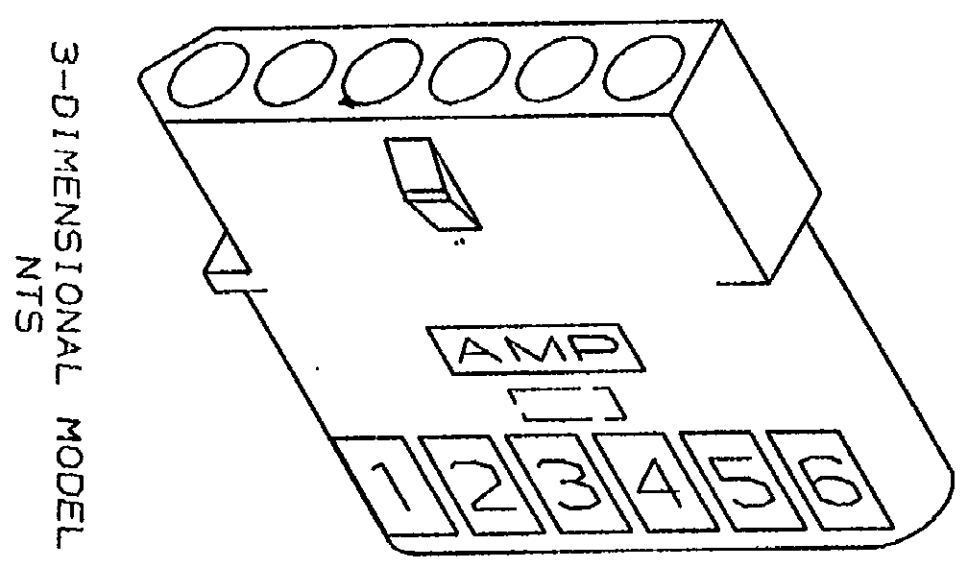
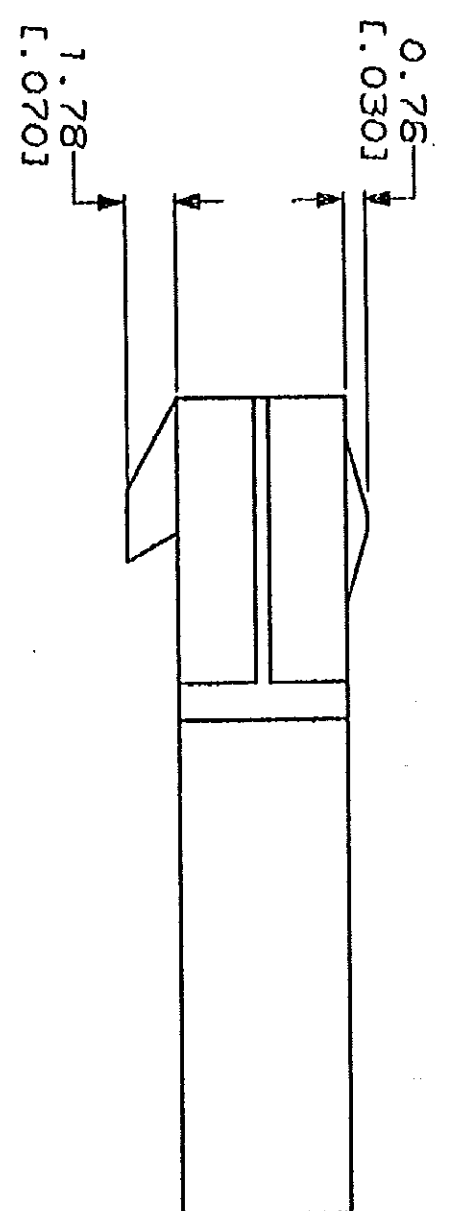
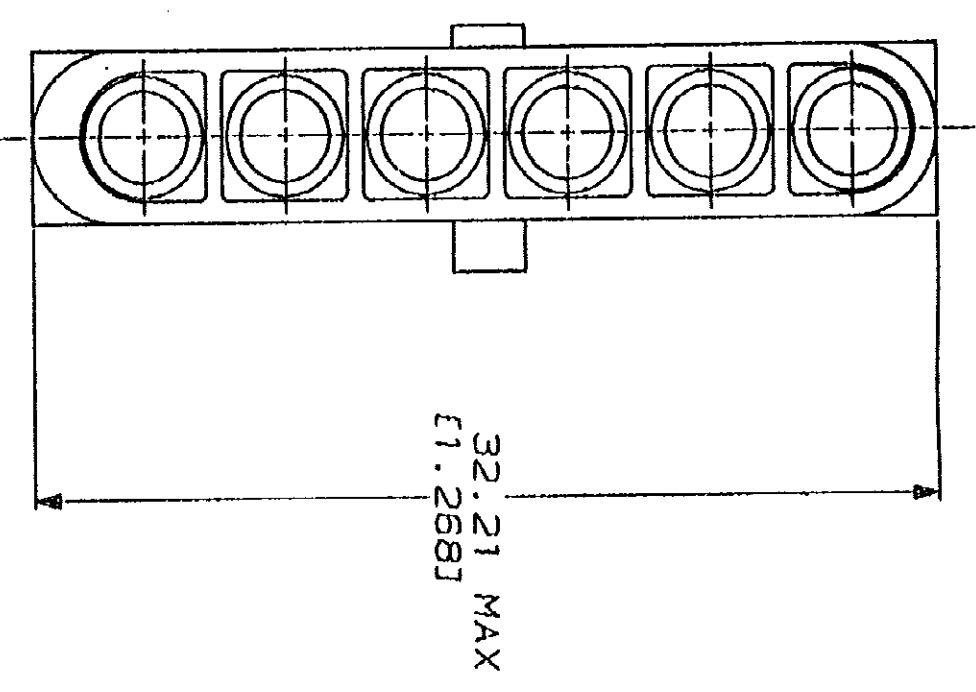
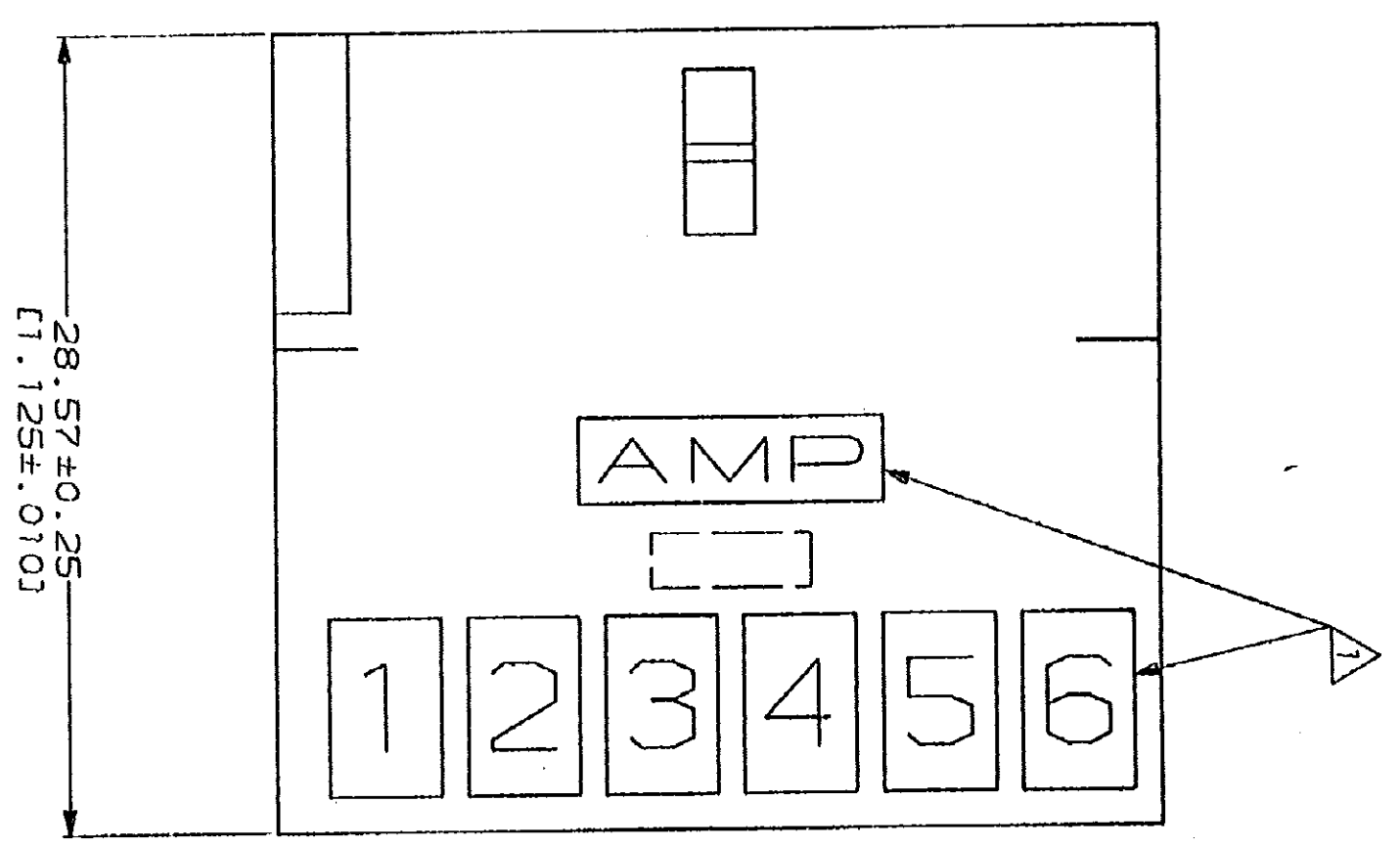
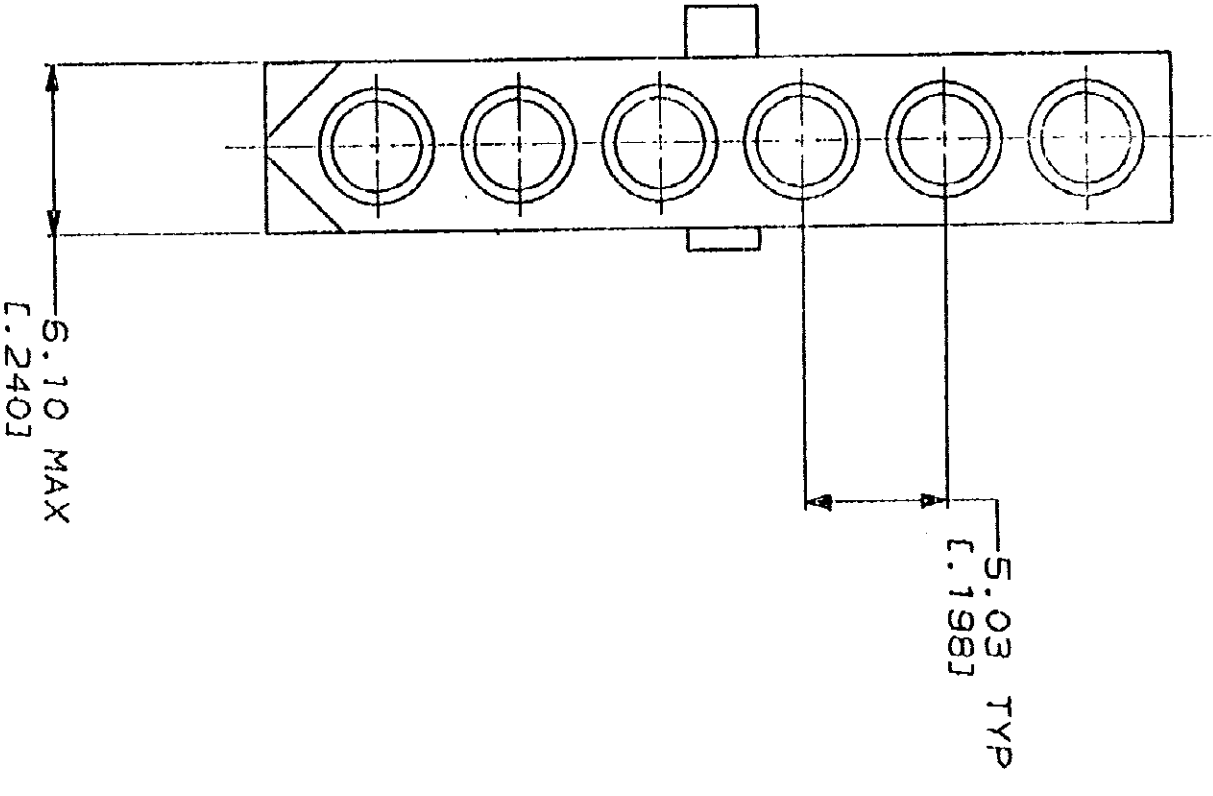


DRAWING MADE IN THIRD ANGLE PROJECTION
 THIS DRAWING IS UNDER RESERVATION
 BY AMP INCORPORATED. ALL INTERNATIONAL RIGHTS RESERVED.

REVISIONS
 1
 2
 3

LOC 53
 ZONE LTR
 REVISED PER ECM 3387

DATE 11/8/91
 SHEET 1 OF 1



△ AMP LOGO AND CIRCUIT NUMBERS LOCATED IN THIS AREA, EITHER SIDE.
 2. DIMENSIONS IN BRACKETS ARE IN INCHES.

METRIC

DO NOT SCALE PRINT. DIMENSIONS IN INCHES TOLERANCES ON:		DR. K. WITAKER	11-6-90	AMP AMP Incorporated Morrisburg, PA 17105-3808	RECEPTACLE, POSITIVE LOCK, 6 CIRCUIT, COMMERCIAL PIN AND SOCKET
1 ANG. DEC ± 0.13 (L.005)	2 P.L.C. DEC ± 0.13 (L.005)	CHK. R. SWINE	11-6-90		
FINISH: NYLON, UL 94V-2 NATURAL		APPD. C. CASH	11-6-90	NAME: POSITIVE LOCK, 6 CIRCUIT, COMMERCIAL PIN AND SOCKET	
APPLICATION SPEC		SIZE: D 00779		DRAWING NO: 770782	
FINISH: NATURAL		SCALE: 4:1		SHEET: 1 OF 1	

CUSTOMER DRAWING